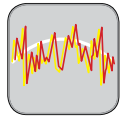
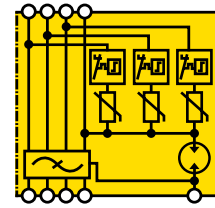




Surge Protective Devices: ZOTUPFILTER



ILF 4P ...

ILF 4P is a multimode SPD against indirect lightning effects with integrated interference filter for high frequency disturbances, typically installed in three phase plus neutral TN-systems close to equipment or machinery, particularly in industrial automation environment, with the following features and benefits:

- **Impulse test classification: Test Class III** according to **IEC 61643-11 Ed.1 (2011-03)** and **Type 3** according to **EN 61643-11(2012-10)**;
- Protects electronic equipment (PLC or computers, etc.) from overvoltages due to indirect lightning effects and from other interferences;
- In case of an SPD reaching its end of life the protection is disconnected without interrupting the downstream supply. This is indicated locally by an optical indicator and via a remote signal contact;
- It is suitable for installation at LPZ boundaries 2 -3 and higher, in accordance with the lightning protection zones concept and in coordination with other SPDs.

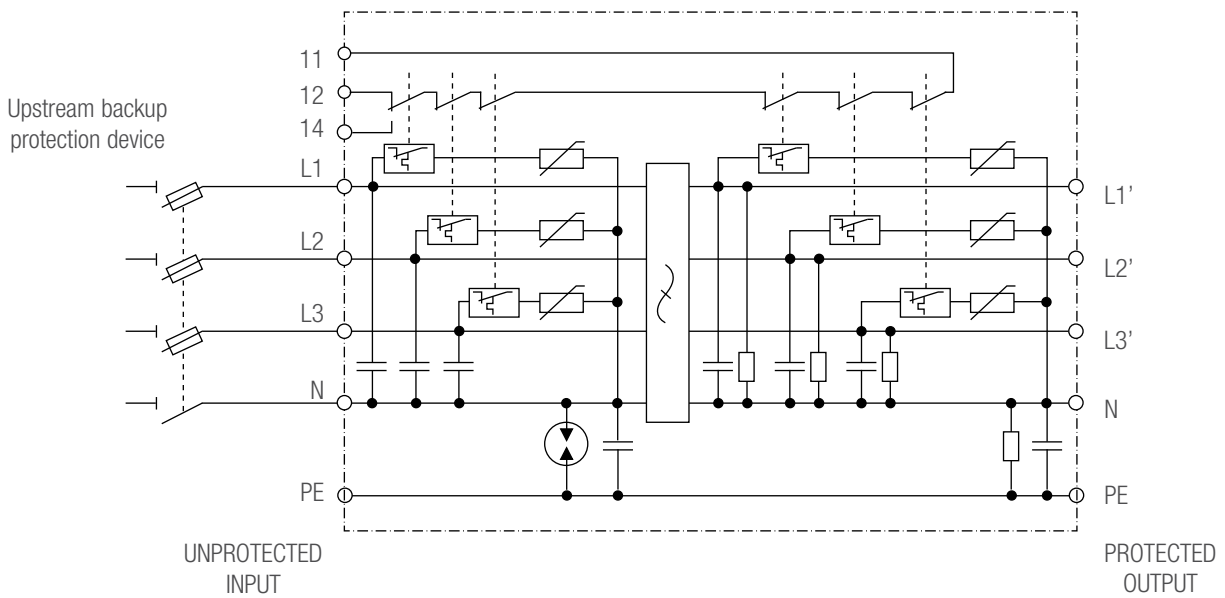
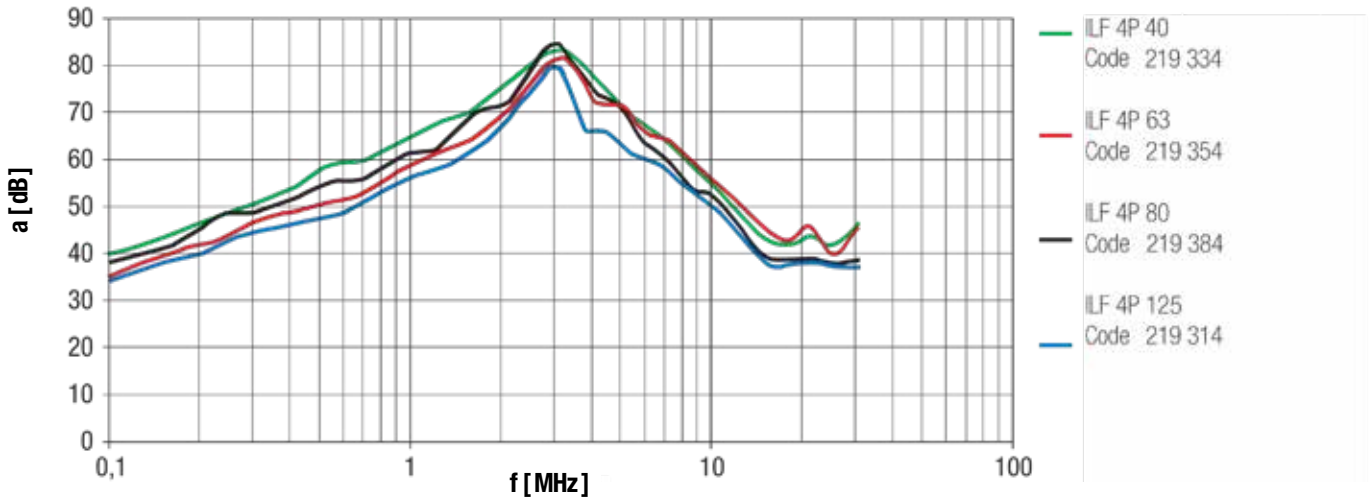
Model ILF 4P ...		40	63	80	125
CODE		219 334	219 354	219 384	219 314
Nominal ac system Voltage	U_N	230/400 V - 50 Hz			
Maximum Continuous Operating Voltage	U_c	275/480 V ac			
Rated load current	I_L	40 A	63 A	80 A	125 A
Test Class according to IEC 61643-11 Ed.1 (2011-03)		III			
Type according to EN 61643-11 (2012-10)		T3			
Combination wave impulse (L/N-PE)	U_{oc}	6 kV / 3 kA			
Voltage protection level (L/N-PE)	U_p	≤ 1,5 kV			
Response time (L-N)	t_a	≤ 25 ns			
Response time (N-PE)	t_a	≤ 100 ns			
End of Life (L-N)		OCFM (open circuit failure mode)			
Behaviour in case of Temporary OverVoltage (TOV):	L/N-PE U_T	335 V / 5 s, withstand (W); 440 V / 120 min, safe (S)			
Asymmetric attenuation		range 0,4 - 10 MHz: ≥ 40 dB / at 3 MHz: ≥ 80 dB			
Filter components	C_{x1}	150 nF	150 nF	150 nF	150 nF
	C_{x2}	680 nF	680 nF	680 nF	680 nF
	C_Y	2 x 47 nF	2 x 47 nF	2 x 47 nF	2 x 47 nF
	L	8 µH	6 µH	1,4 mH	1,0 mH
Power dissipation		≤ 8 W	≤ 12 W	≤ 15 W	≤ 20 W
Max. back-up protection with fuse, if not already provided in the upstream installation		40 A gG	63 A gG	80 A gG	125 A gG
Status indicator (indication of disconnecter operation)		LED off - OK; Red LED - replace			
Operating temperature range		- 40 ... + 55 °C			
Terminal - Conductor size		10 mm ²	10 mm ²	25 mm ²	35 mm ²
Mounting		vertical on a panel / wall			
Enclosure material		metallic			
Pollution Degree / Degree of protection	PD/IP	2 / 10			
Remote signal contact		NC			
Terminal - Conductor size for remote signal contact		max. 1,5 mm ² flexible			
Switching capacity remote signal contact		ac: 250 V / 0,5 A - dc: 125 V / 0,2 A; 75 V / 0,5 A			
Approximate weight		1590 g	1700 g	1950 g	2820 g
Dimensions		l 250 x h 150 x d 65 mm		l 290 x h 180 x d 75 mm	
GTIN (EAN)		8054890320917	8054890320948	8054890320979	8054890320887

TECHNICAL DATA

Upon request the ILF 4P type SPD can be supplied with other impulse current and voltage ratings.

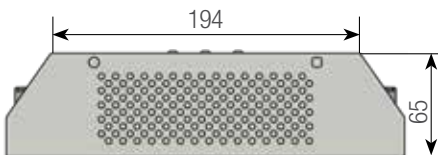


Asymmetric attenuation characteristics



ILF 4P 40
Code 219 334

ILF 4P 63
Code 219 354



ILF 4P 80
Code 219 384

ILF 4P 125
Code 219 314

