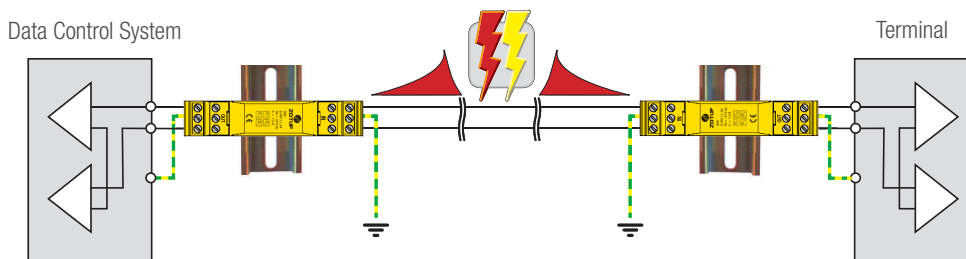


DIN-rail socket + pluggable SPD-module



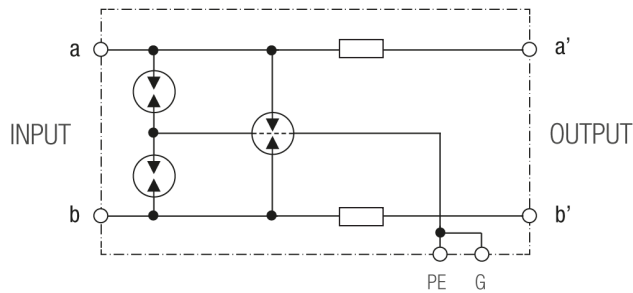
S-ASI ... G ... is an SPD for installation in series with the telecommunication/signalling circuit to protect sensitive equipment with low resistability/immunity, providing the following features and benefits:

- Classification for the impulse test: categories C1, C2, C3, D1 (comply with IEC/EN 61643-21);
- S-ASI ... SPDs are made in pluggable execution and they guarantee the continuity of signal circuit. They do not suspend it when the plug is pulled out;
- The common and differential mode fine protection let at this device to well protect grounded circuits;
- Providing protection against direct and indirect lightning effects;
- The connection is made by screw type terminals to guarantee the best connection reliability;
- Ground connection is made via PE and G screw type terminals, as well as the top hat DIN rail.

		CAMERAS	TELECOM analogic
Model S-ASI 1 G ...		48	110
CODE		344 048	344 011
Protected Lines		1	
SPD impulse rating/Category		C1, C2, C3, D1	
Nominal Voltage	U_N	48 V dc/39 V ac	110 V dc/78 V ac
Maximum Continuous Operating Voltage	U_c	57,6 V dc	132 V dc
Rated Current	I_L	0,5 A	
Category C1 - Nominal discharge current (8/20 μ s) per wire	I_n	1 kA	
Category C1 - Level of protection at I_n per wire (all modes)	U_p	≤ 500 V	≤ 550 V
Category C2 - Nominal discharge current (8/20 μ s) per wire	I_n	15 kA	
Category C2 - Level of protection at I_n per wire (all modes)	U_p	≤ 600 V	≤ 650 V
Category C3 - Voltage protection level at 1 kV/ μ s (all modes)	U_p	≤ 550 V	≤ 600 V
Category D1 - Line/PE impulse discharge current (10/350 μ s)	$I_{imp\ 10/350}$	2,5 kA	
Category D1 - Total Impulse discharge current (10/350 μ s)	$I_{Total\ 10/350}$	5 kA	
Response time	t_a	≤ 100 ns	
Bandwidth		100 MHz	
Data Rate		100 Mbit/s	
Longitudinal serie Impedance		0,8 Ω	
Parasitic capacity	C	1,5 nF	
Operating temperature range		-25 ... +70 $^{\circ}$ C	
Clamps cross-section		max. 1,5 mm ² flexible	
Mounting		indoor, 35 x 7,5 mm top hat DIN rail IEC/EN 60715	
Housing		thermoplastic	
Degree of protection	IP	20	
Approximate weight		50 g	
Dimension: width		17,5 mm (1 module)	
GTIN (EAN)		8054890322096	8054890322188



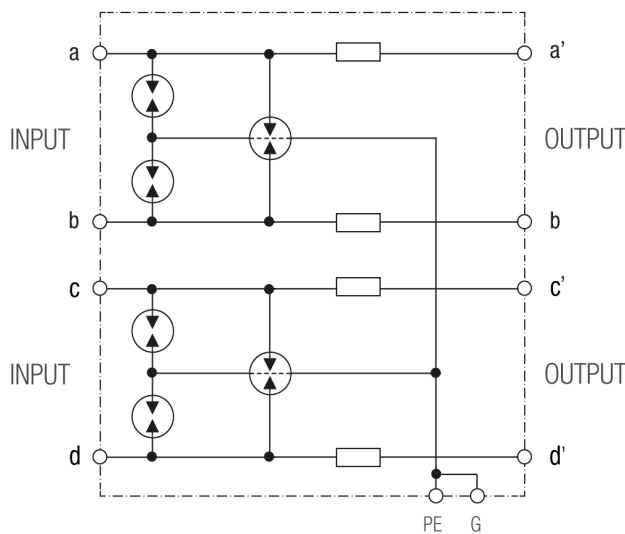
MODEL S-ASI 1 G ...



Typical high discharge protection scheme for high frequency data transmission interfaces and for applications in telecommunications. The protection allows a data transmission up to 100 Mbit/s. The protection is equipped with decoupling resistance between the protection and the input circuit.

S-ASI ... G ...

MODEL S-ASI 2 G ...



Model S-ASI 2 G ...

CAMERAS

48

TELECOM
analogic

110

CODE		344 248	344 211
Protected Lines		2	
SPD impulse rating/Category		C1, C2, C3, D1	
Nominal Voltage	U_N	48 V dc/39 V ac	110 V dc/78 V ac
Maximum Continuous Operating Voltage	U_c	57,6 V dc	132 V dc
Rated Current	I_L		0,5 A
Category C1 - Nominal discharge current (8/20 μ s) per wire	I_n		1 kA
Category C1 - Level of protection at I_n per wire (all modes)	U_p	≤ 500 V	≤ 550 V
Category C2 - Nominal discharge current (8/20 μ s) per wire	I_n		15 kA
Category C2 - Level of protection at I_n per wire (all modes)	U_p	≤ 600 V	≤ 650 V
Category C3 - Voltage protection level at 1 kV/ μ s (all modes)	U_p	≤ 550 V	≤ 600 V
Category D1 - Line/PE impulse discharge current (10/350 μ s)	$I_{imp\ 10/350}$		2,5 kA
Category D1 - Total Impulse discharge current (10/350 μ s)	$I_{Total\ 10/350}$		5 kA
Response time	t_a		≤ 100 ns
Bandwidth			100 MHz
Data Rate			100 Mbit/s
Longitudinal serie Impedance			0,8 Ω
Parasitic capacity	C		1,5 nF
Operating temperature range			-25 ... +70 $^{\circ}$ C
Clamps cross-section			max. 1,5 mm ² flexible
Mounting		indoor, 35 x 7,5 mm top hat DIN rail IEC/EN 60715	
Housing		thermoplastic	
Degree of protection	IP	20	
Approximate weight		70 g	
Dimension: width		17,5 mm (1 module)	
GTIN (EAN)		8054890322195	8054890322201

TECHNICAL DATA